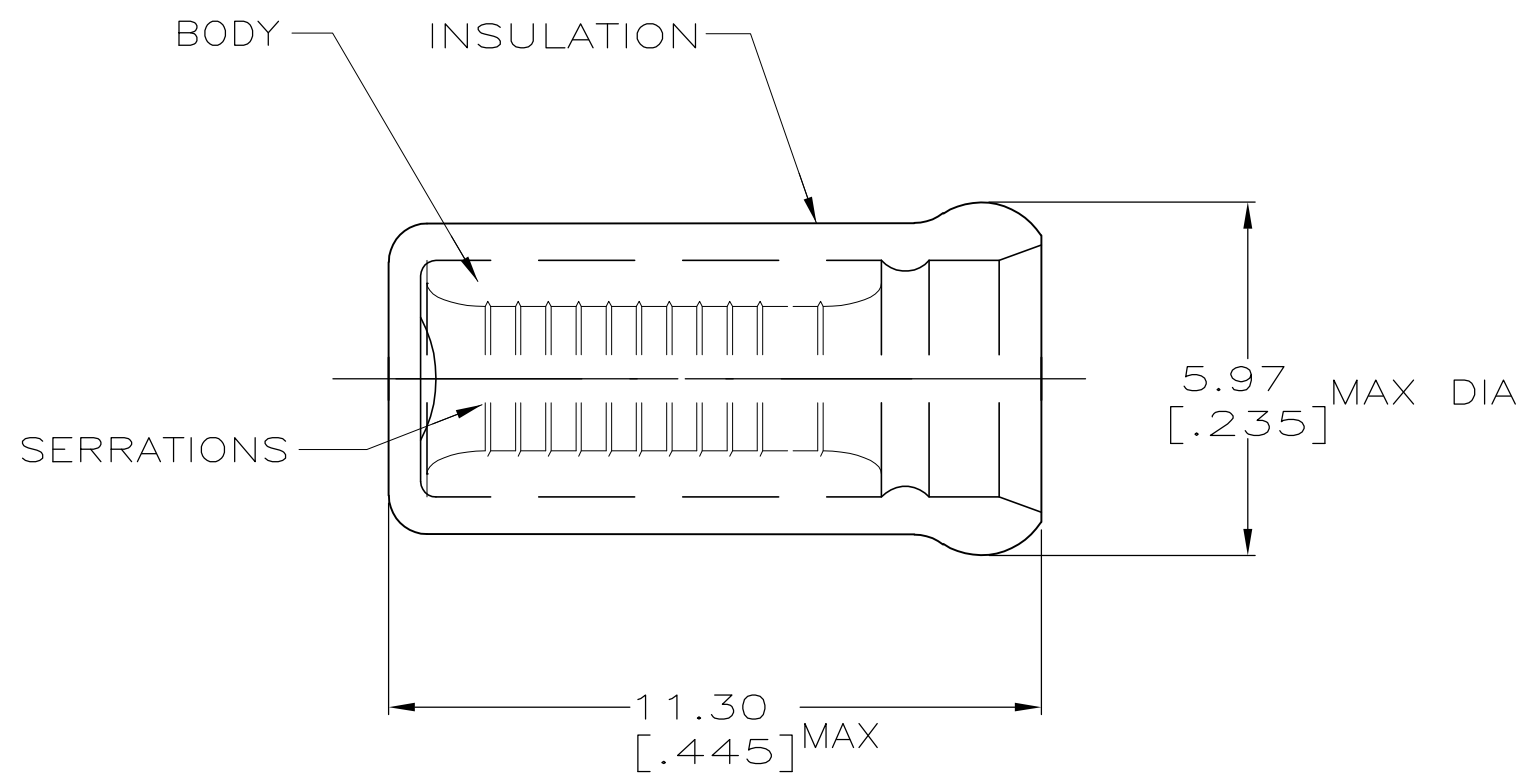


THIS DRAWING IS UNPUBLISHED. RELEASED FOR PUBLICATION
 © COPYRIGHT - By - ALL RIGHTS RESERVED.

LOC	DIST	REVISIONS					
		P	LTR	DESCRIPTION	DATE	DWN	APVD
G	14		H1	REVISED PER ECO-11-004917	11MAR11	RK	HMR



- USE FOR STRIPPED (SINGLE) WIRE END ONLY
- WIRE INSUL DIA, 3.78 [.149] MAX

MILITARY P/N & CLASS	QTY	PACKAGE TYPE	PART NO
-	100	LOOSE PIECE, BOX	8-328308-1
MS25274/3 CLASS 2	2500	ON TAPE, REEL	2-328308-1
MS25274/3 CLASS 1 & 2	1000	LOOSE PIECE	328308

**AMP INCORPORATED
CUSTOMER SERVICE SYSTEM**

FOR ADDITIONAL PRODUCT INFORMATION OR COPIES OF DRAWINGS AND TECHNICAL DOCUMENTS: PRODUCT INFORMATION CENTER 1-800-522-6752

FOR APPLICATION TOOLING INFORMATION: TOOLING ASSISTANCE CENTER 1-800-722-1111

FOR ORDER ENTRY: 1-800-526-5142

MAX RECOMMENDED OPERATING TEMPERATURE:
105° C [221° F]

VOLTAGE RATING:
-

CIRCULAR MIL AREA:
1.04mm² - 2.62mm²
[2,050 - 5,180]

THIS DRAWING IS A CONTROLLED DOCUMENT.

DIMENSIONS: mm [in]

TOLERANCES UNLESS OTHERWISE SPECIFIED:

0 PLC	± -
1 PLC	± -
2 PLC	± 0.20 [.008]
3 PLC	± -
4 PLC	± -
ANGLES	± -

MATERIAL: BODY, CU PER ASTM B152; INSUL, NYLON, COLOR, BLUE

FINISH: BODY, TIN PLATE PER MIL-T-10727

DWN L OLMEDA 21MAR96
 CHK M ELLIS 21MAR96
 APVD K FERREK 21MAR96

STE TE Connectivity

NAME: SPARE WIRE CAP, WIRE SIZE, 16-14 AWG

SIZE: A3 CAGE CODE: 00779 DRAWING NO: C-328308 RESTRICTED TO: -

SCALE: 8:1 SHEET: 1 OF 1 REV: H1

CUSTOMER DRAWING